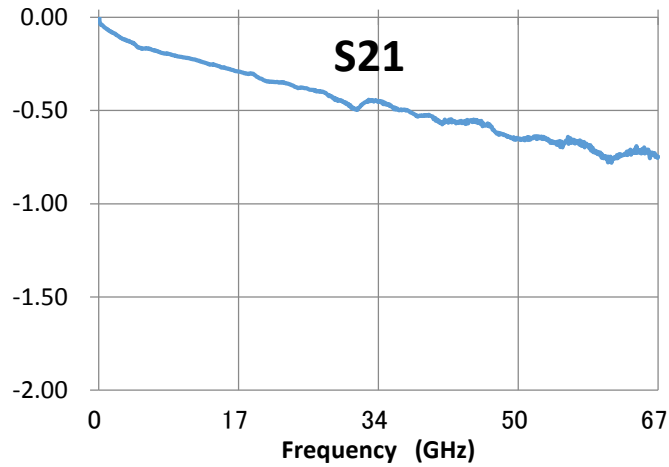


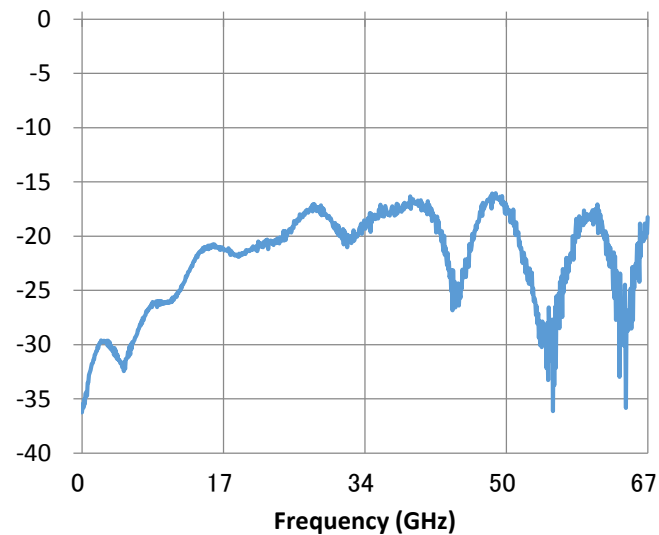


RF Cantilever Probe Head (Reference)

Typical Insertion Loss (GSGSG-150um pitch)



Typical Return Loss (GSGSG-150um pitch)



Electric Performance

Characteristic impedance	50 ohm
Frequency range	DC to 67GHz
Insertion loss (Typ. GSGSG-150μm)	-1.2.dB
Return Loss (Typ. GSGSG-150μm)	-15dB
DC voltage	100V
DC current	1A
RF Power @ 10GHz max	10W
Contact resistance on Au	0.05 ohm

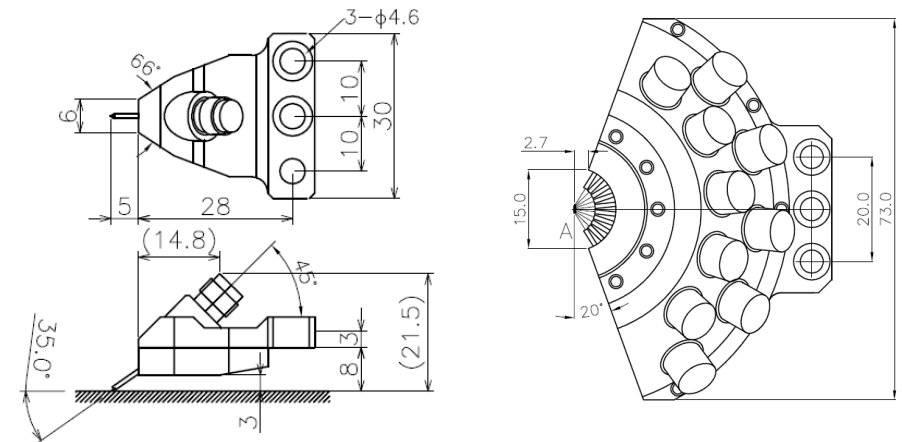
Mechanical Performance

Connector	1.85mm(J)
Available Pitch	50 to 1000μm
Available Configuration	GS , SG, GSG, GSSG, and GSGSG (Or special request)
Probe Material	Tungsten / BeCu
Body Material	Aluminum Alloy
Contact pressure @2mil Over travel	20g
Contact Cycle (Auto Probe Mode: OD 1mil)	1M
XY position error	Max 10um
Planarity error	Max 10um
Scribing mark (Width)	30um

Feature

Custom Configuration & Pitch
SUPER DURABLE
More Over Drive Applicable
Up to 10RF Ports

Reference drawings



Unit: mm
Tolerance: +/-0.25