



RF Probe Model: TPD110A Series(GSSG)

Typical Insertion Loss (GSSG-150um pitch)



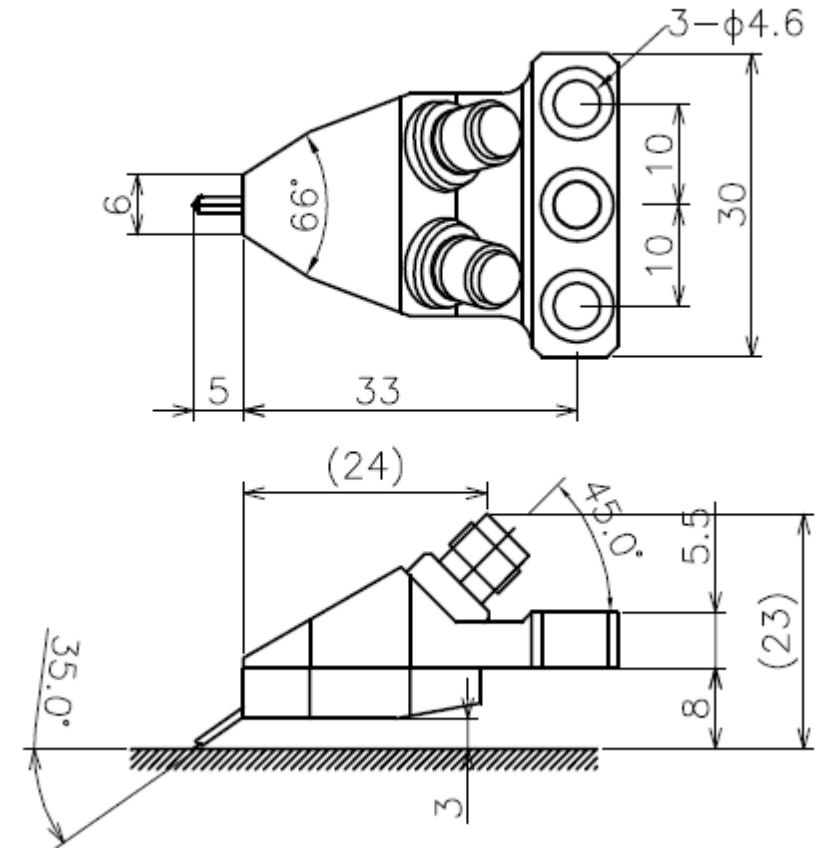
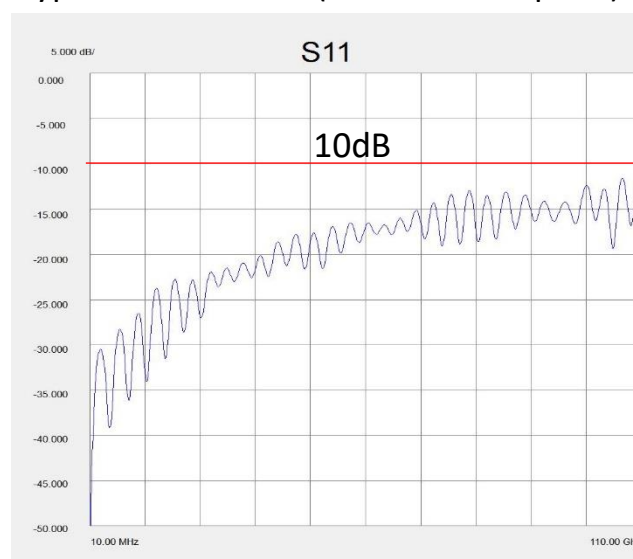
Electric Performance

Characteristic impedance	50 ohm
Frequency range	DC to 110GHz
Insertion loss (Typ. GSSG-150μm)	Less than -2.5dB
Return Loss (Typ. GSSG-150μm)	Greater than -10dB
Cross Talk (Typ. GSSG-150μm)	-20 to -30dB
DC voltage	100V
DC current	1A
RF Power @ 10GHz max	5W
Contact resistance on Au	0.05 ohm

Mechanical Performance

Connector	1 mm (J)
Recommended Pitch	50 to 150μm
Above 150um pitch performance is NOT good, but we can accept order	
Configuration	GSSG
Probe Material	Nickel Alloy
Body Material	Aluminum Alloy
Contact pressure @2mil Over travel	20g
Contact Cycle (Auto Probe Mode: OD 1mil)	1M
XY position error	Max 10um
Planarity error	Max 10um
Scribing mark (Width)	30um

Typical Return Loss (GSSG-150um pitch)



Unit: mm
Tolerance: +/-0.25